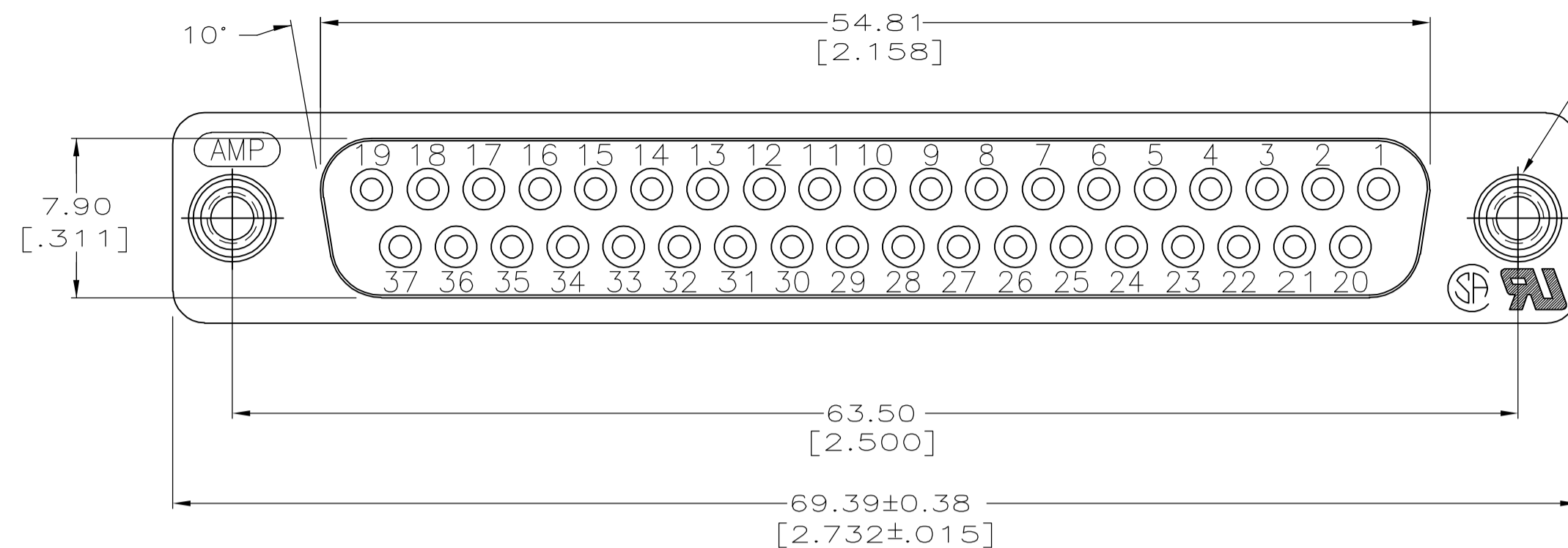
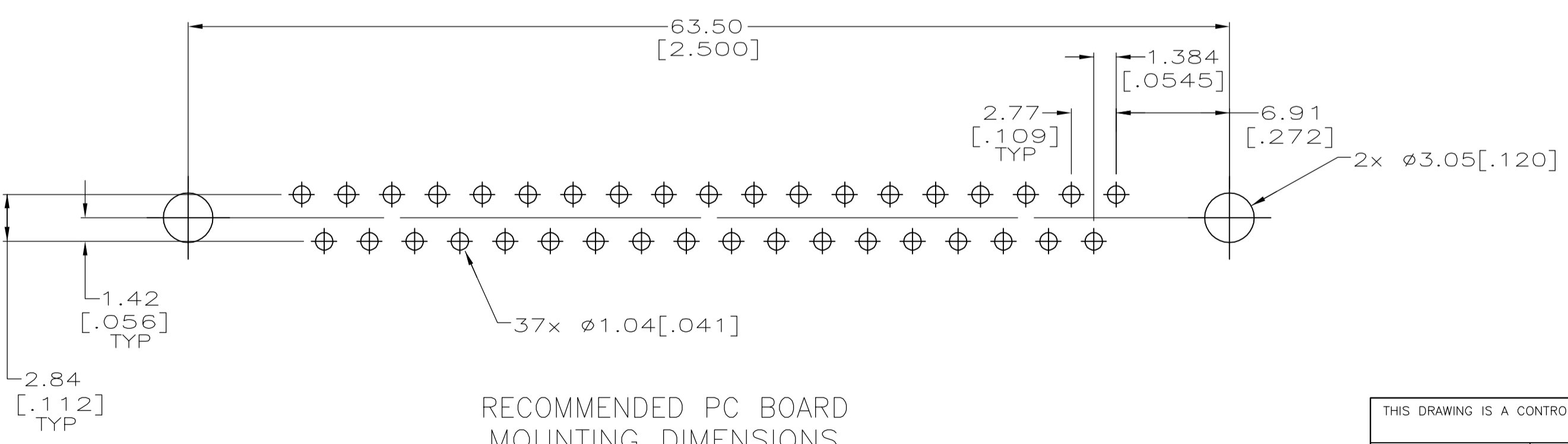
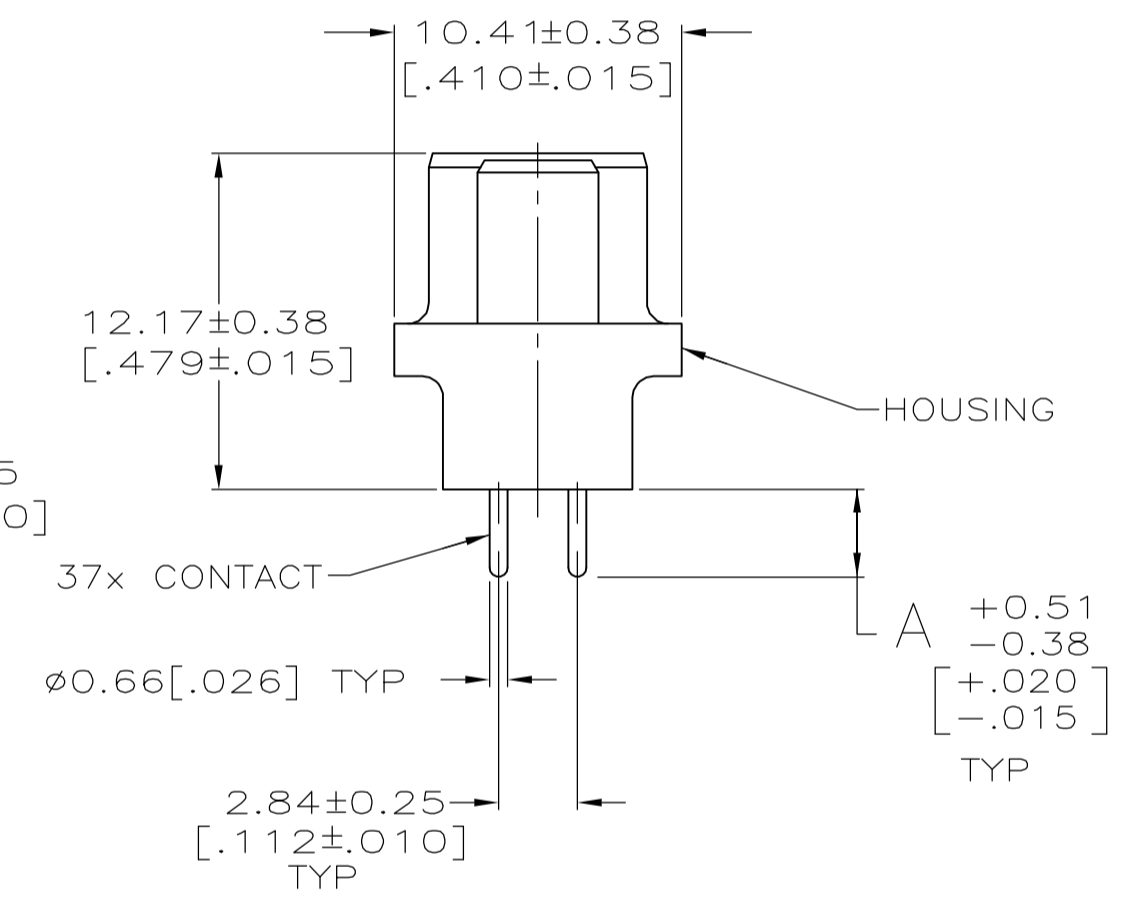
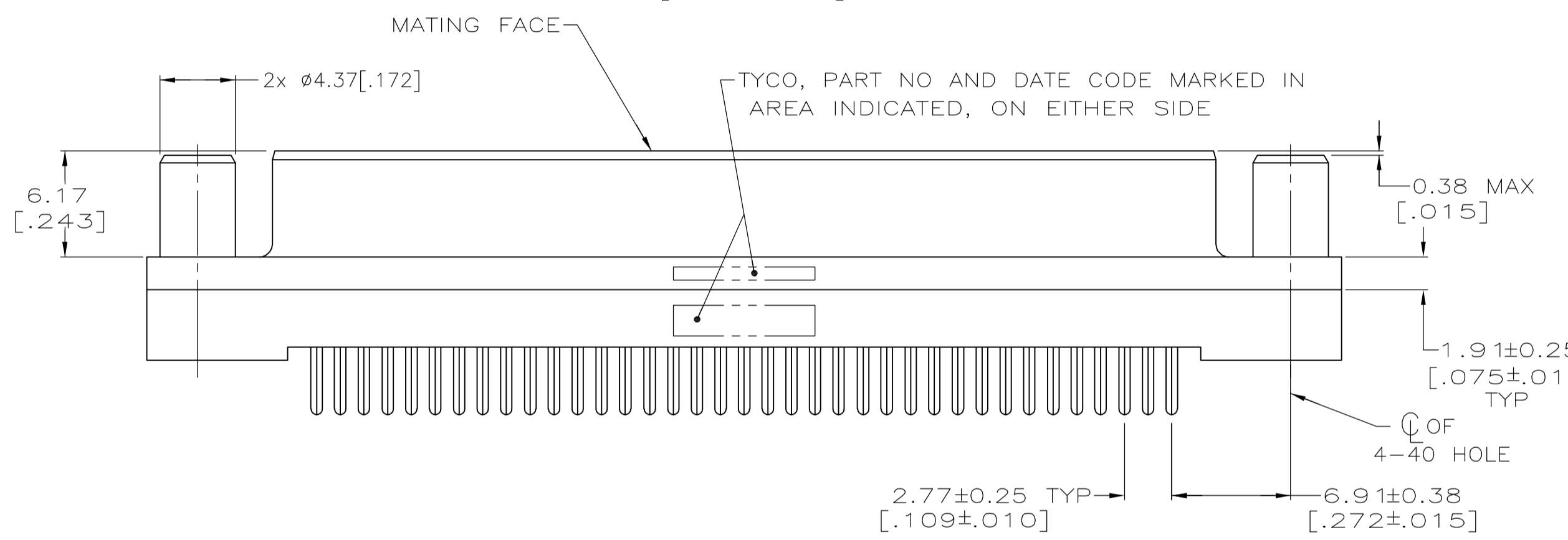


LOC	DIST	REVISIONS					
GP	00	P	LTR	DESCRIPTION	DATE	DWN	APVD
		0		RELEASED PER EC 0513-0087-05	14SEP05	GP	JG



- 1 HOUSING: BLACK POLYESTER, UL 94V-0 RATED;  
CONTACTS: PHOSPHOR BRONZE  
SCREWLOCKS: BRASS
- 2 CONTACTS: 0.76 μm [.000030] MIN GOLD FOR A LENGTH OF 2.54 [.100] MIN FROM MATING END, 2.54 μm [.000100] MIN TIN ON OPPOSITE END, ALL OVER 1.27 μm [.000050] MIN NICKEL.  
SCREWLOCKS: 1.27 μm [.000050] MIN NICKEL OVER COPPER FLASH.



RECOMMENDED PC BOARD MOUNTING DIMENSIONS

**COPYRIGHT 2005  
TYCO ELECTRONICS CORP  
ALL RIGHTS RESERVED**

4.32 [.170]	5745079-6
3.18 [.125]	5745079-4
A	PART NO

THIS DRAWING IS A CONTROLLED DOCUMENT.		DWN G.PETERS 14SEP05	Tyco Electronics Corporation Harrisburg, PA 17105-3608
DIMENSIONS: mm [INCHES]		CHK S.BOLASH 14SEP05	
TOLERANCES UNLESS OTHERWISE SPECIFIED:		APVD M.WALMSLEY 14SEP05	NAME RECEPTACLE ASSEMBLY, SIZE 4, 37 POSN, VERTICAL, AMPLIMITE HD-20
0 PLC ± -	1 PLC ± -	PRODUCT SPEC 108-40025	SIZE A2
2 PLC ± ± 0.13 [.005]	3 PLC ± ± -	APPLICATION SPEC	CAGE CODE 00779
4 PLC ± ± ± 2±	ANGLES ± ± -	FINISH	DRAWING NO 5745079
MATERIAL	FINISH	WEIGHT	RESTRICTED TO
CUSTOMER DRAWING		SCALE 4:1	SHEET 1 OF 1
		REV 0	